

# BRKT-CONV-API

Converter Bracket for Wireless Access Points

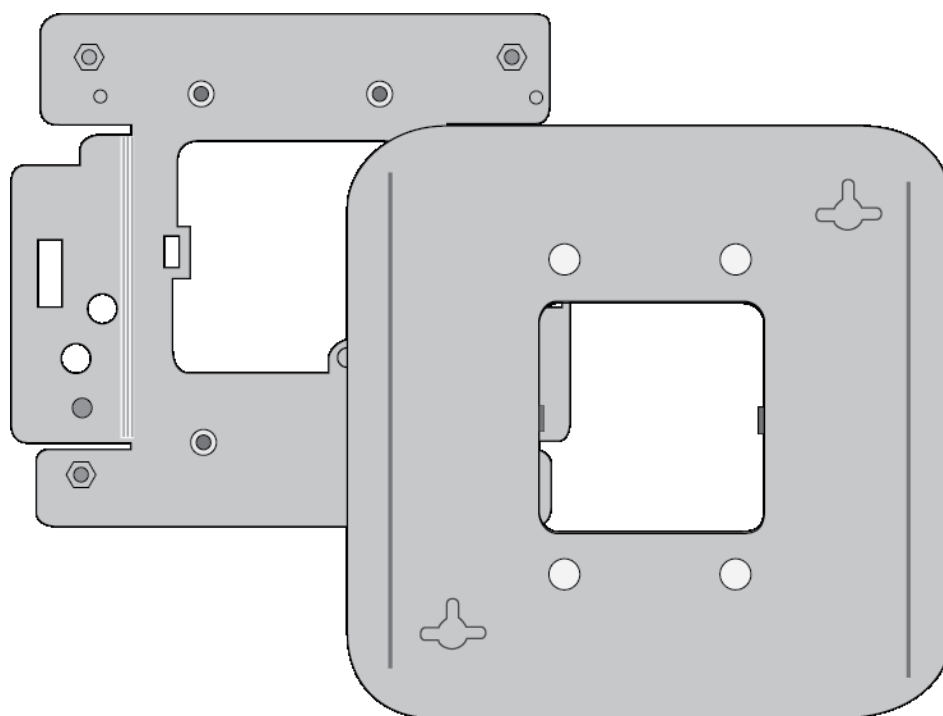
TQI402

TQmI402

TQ5403

TQm5403

TQ6602



## Installation Guide

Copyright © 2021 Allied Telesis, Inc.

All rights reserved. No part of this publication may be reproduced without prior written permission from Allied Telesis, Inc.

Allied Telesis and the Allied Telesis logo are trademarks of Allied Telesis, Incorporated. Cisco is a registered trademark of Cisco System, Incorporated. Fortinet is a registered trademark of Fortinet, Incorporated. All other product names, company names, logos or other designations mentioned herein are trademarks or registered trademarks of their respective owners.

Allied Telesis, Inc. reserves the right to make changes in specifications and other information contained in this document without prior written notice. The information provided herein is subject to change without notice. In no event shall Allied Telesis, Inc. be liable for any incidental, special, indirect, or consequential damages whatsoever, including but not limited to lost profits, arising out of or related to this manual or the information contained herein, even if Allied Telesis, Inc. has been advised of, known, or should have known, the possibility of such damages.

# Contents

---

- Preface ..... 7**
- Safety Symbols Used in this Document ..... 8
- Contacting Allied Telesis ..... 9
  
- Installing the BRKT-CONV-AP1 Bracket ..... 11**
- Introduction..... 12
- Unpacking the Shipping Box ..... 14
- Installing the Base Plate on the Cisco Brackets ..... 17
- Installing the Base Plate on the Fortinet Bracket..... 19
- Installing the Cover on the Base Plate ..... 20
- Installing the TQ Bracket Screws on the Wireless Access Point..... 23
  - Installing TQ Bracket Screws with Collars ..... 23
  - Installing TQ Bracket Screws without Collars ..... 24
- Installing the TQ Bracket and Wireless Access Point on the BRKT-CONV-AP1 Bracket ..... 27



# Figures

---

Figure 1: Cisco AIR-AP-BRACKET-1 and AIR-AP-BRACKET-2 Brackets .....	12
Figure 2: Fortinet Bracket for AP822e and AP822i Wireless Access Points .....	13
Figure 3: Shipping Box.....	14
Figure 4: Contents of the Shipping Box .....	15
Figure 5: Standoffs with M3x6 Screws and Washers on the Top Panel of the Base Plate.....	16
Figure 6: TQ Wireless Access Point Brackets .....	16
Figure 7: Installing the Base Plate on the Cisco Bracket .....	17
Figure 8: Securing the Base Plate to the Cisco Bracket .....	18
Figure 9: Placing the Base Plate on the Fortinet Bracket .....	19
Figure 10: Securing the Base Plate to the Fortinet Bracket.....	19
Figure 11: Installing the Cover on the Base Plate.....	20
Figure 12: Matching the Cover to the Base Plate .....	21
Figure 13: TQ Bracket Screws.....	23
Figure 14: Installing the Mounting Bracket Screws in the Wireless Access Point .....	24
Figure 15: Installing the TQ Bracket on the Wireless Access Point.....	25
Figure 16: Adjusting the Screws on the Wireless Access Point.....	25
Figure 17: Removing the Mounting Bracket from the Wireless Access Point.....	26
Figure 18: Placing the TQ Bracket on the Cover .....	27
Figure 19: Securing the TQ Bracket to the Cover with Four M4x8 Screws .....	28
Figure 20: Installing the Wireless Access Point on the Bracket.....	29
Figure 21: Securing the Wireless Access Point .....	29



# Preface

---

This document contains the installation instructions for the BRKT-CONV-AP1 bracket. The bracket is used to install Allied Telesis wireless access points on Cisco or Fortinet mounting brackets. The preface contains the following sections:

- ❑ “Safety Symbols Used in this Document” on page 8
- ❑ “Contacting Allied Telesis” on page 9

## Safety Symbols Used in this Document

---

This document uses the following conventions.

---

**Note**

Notes provide additional information.

---



---

**Caution**

Cautions inform you that performing or omitting a specific action may result in equipment damage or loss of data.

---



---

**Warning**

Warnings inform you that performing or omitting a specific action may result in bodily injury.

---



---

**Warning**

Warnings inform you of hot surfaces.

---



## Contacting Allied Telesis

---

If you need assistance with this product, you may contact Allied Telesis technical support by going to the Services & Support section of the Allied Telesis web site at **[www.alliedtelesis.com/support](http://www.alliedtelesis.com/support)**. You can find links for the following services on this page:

- ❑ Helpdesk (Support Portal) - Log onto Allied Telesis interactive support center to search for answers to your questions in our knowledge database, check support tickets, learn about Return Merchandise Authorizations (RMAs), and contact Allied Telesis technical experts.
- ❑ Software Downloads - Download the latest software releases for your product.
- ❑ Licensing - Register and obtain your License key to activate your product.
- ❑ Product Documents - View the most recent installation guides, user guides, software release notes, white papers and data sheets for your product.
- ❑ Warranty - View a list of products to see if Allied Telesis warranty applies to the product you purchased and register your warranty.
- ❑ Allied Telesis Helpdesk - Contact a support representative.

To contact a sales representative or find Allied Telesis office locations, go to **[www.alliedtelesis.com/contact](http://www.alliedtelesis.com/contact)**.



# Installing the BRKT-CONV-AP1 Bracket

---

The installation instructions are divided into the following sections:

- ❑ “Introduction” on page 12
- ❑ “Unpacking the Shipping Box” on page 14
- ❑ “Installing the Base Plate on the Cisco Brackets” on page 17
- ❑ “Installing the Base Plate on the Fortinet Bracket” on page 19
- ❑ “Installing the Cover on the Base Plate” on page 20
- ❑ “Installing the TQ Bracket Screws on the Wireless Access Point” on page 23
- ❑ “Installing the TQ Bracket and Wireless Access Point on the BRKT-CONV-AP1 Bracket” on page 27

## Introduction

---

The BRKT-CONV-AP1 converter bracket lets you install Allied Telesis wireless access points on Cisco and Fortinet mounting brackets. The converter bracket is compatible with the following Allied Telesis wireless access points:

- ❑ TQ1402
- ❑ TQm1402
- ❑ TQ5403
- ❑ TQm5403
- ❑ TQ6602

The bracket is not compatible with the TQ5403e model.

The BRKT-CONV-AP1 bracket is compatible with the Cisco AIR-AP-BRACKET-1 and AIR-AP-BRACKET-2 brackets; shown in Figure 1.

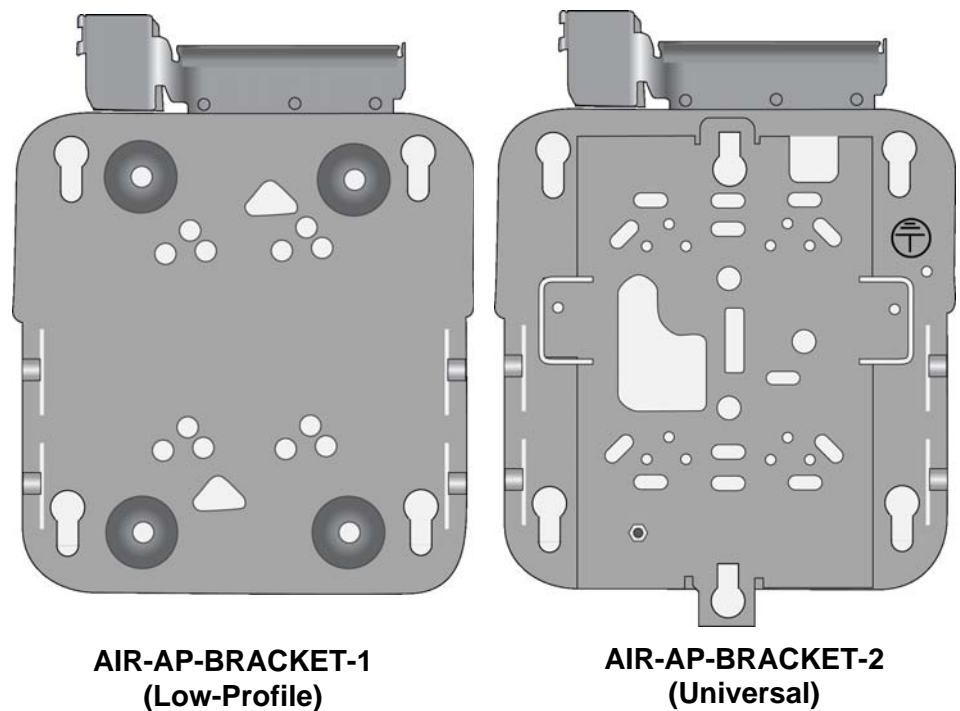


Figure 1. Cisco AIR-AP-BRACKET-1 and AIR-AP-BRACKET-2 Brackets

The BRKT-CONV-AP1 converter bracket is also compatible with the Fortinet bracket for Fortinet AP822e and AP822i wireless access points. Refer to Figure 2.

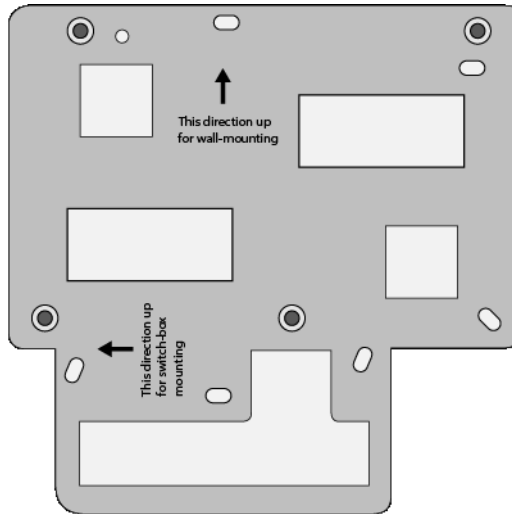


Figure 2. Fortinet Bracket for AP822e and AP822i Wireless Access Points

## Unpacking the Shipping Box

---

The BRKT-CONV-AP1 shipping box is shown in Figure 3.

---

**Note**

Store the packaging material in a safe location. The packing material will provide the best protection for the product in the event you need to return it to Allied Telesis.

---

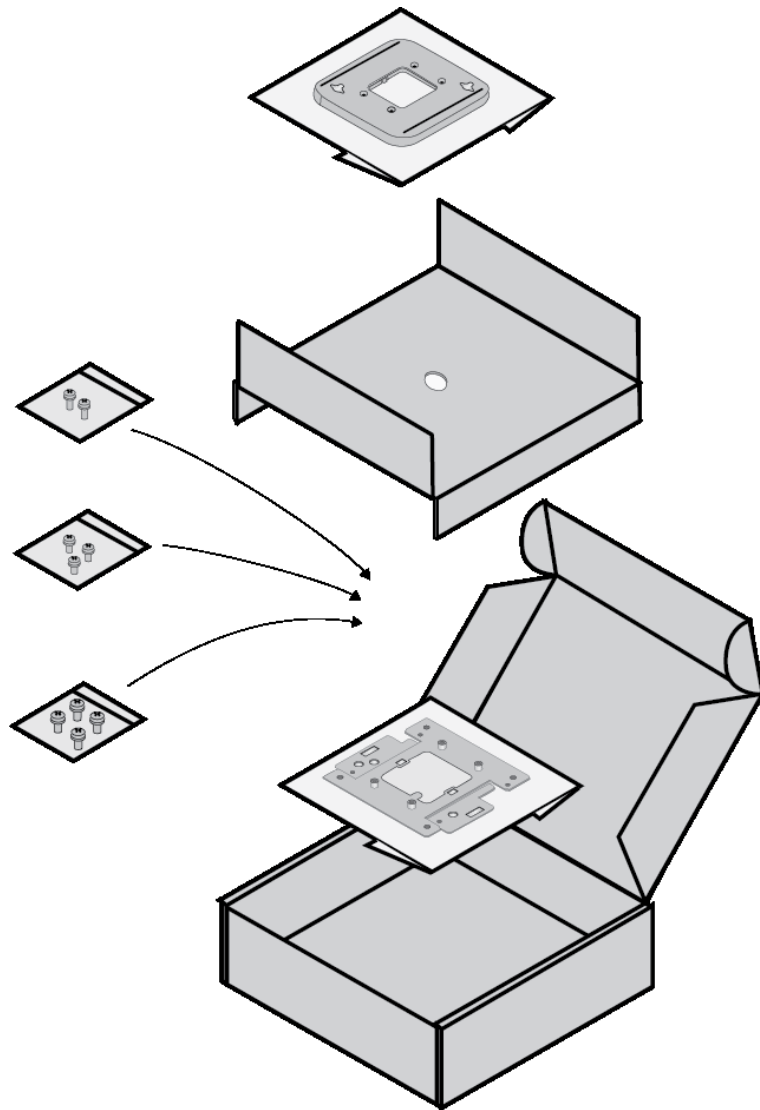
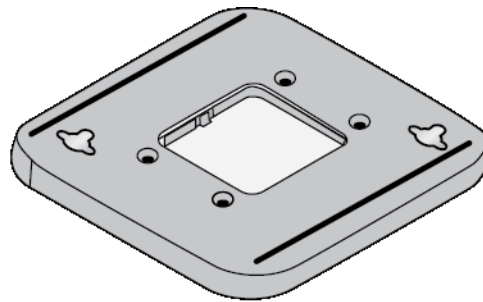
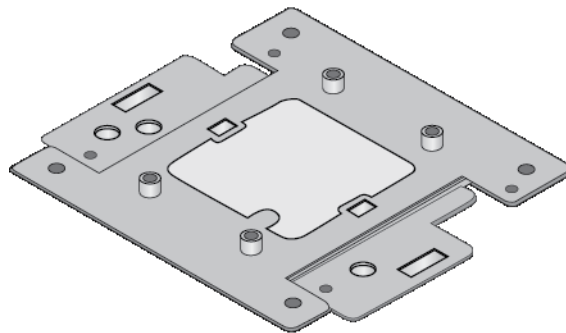


Figure 3. Shipping Box

The contents of the shipping box are identified in Figure 4. If an item is missing or damaged, contact your Allied Telesis sales representative for assistance.



**Bracket Cover**



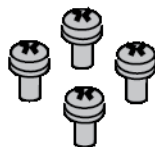
**Bracket Base Plate**



**Two M3x8  
Phillips-head Screws**



**Three M3x6  
Phillips-head Screws**



**Four M4x8  
Phillips-head Screws**

Figure 4. Contents of the Shipping Box

The four standoffs on the top panel of the base plate should have M3x6 screws and washers. Refer to Figure 5.

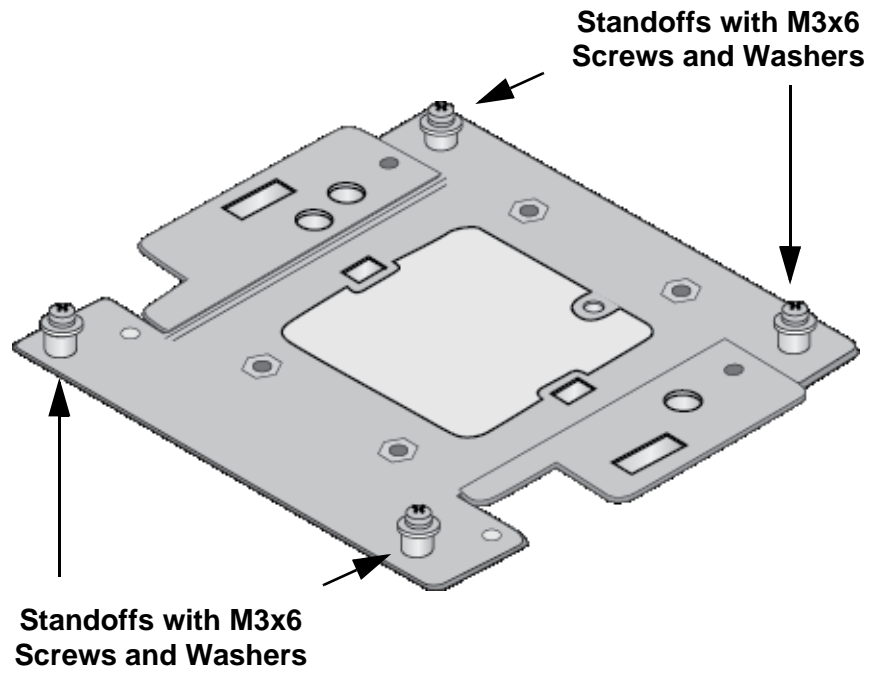


Figure 5. Standoffs with M3x6 Screws and Washers on the Top Panel of the Base Plate

The installation also requires the bracket that comes with TQ wireless access points. There are two versions of the TQ bracket, versions 1 and 2. The BRKT-CONV-AP1 Bracket is compatible with both versions. Refer to Figure 6.

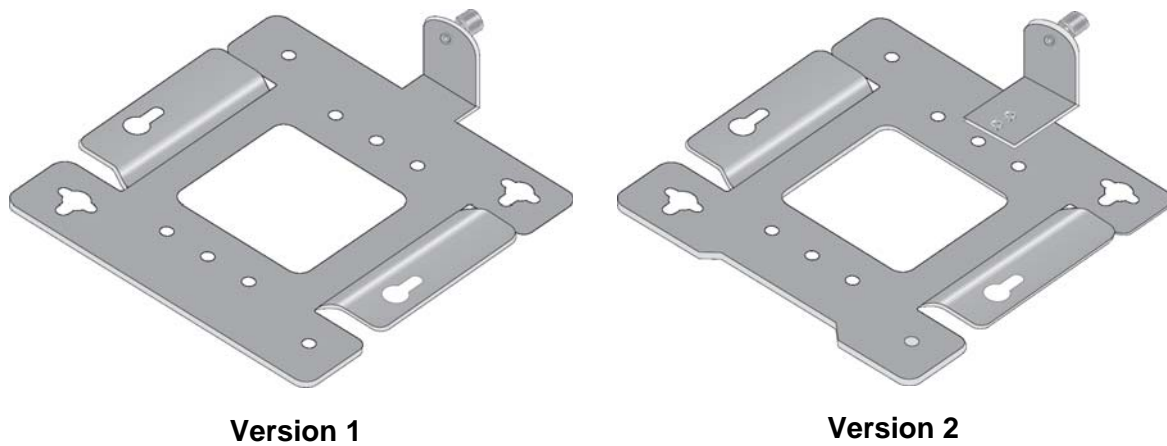


Figure 6. TQ Wireless Access Point Brackets



## Installing the Base Plate on the Cisco Brackets

Review the following information before performing the procedure:

- ❑ The instructions assume that the Cisco wireless access point has already been removed from the AIR-AP-BRACKET-1 or AIR-AP-BRACKET-2 bracket. For instructions, refer to the appropriate Cisco installation guide.
- ❑ The illustrations show the AIR-AP-BRACKET-1 bracket. The procedure is the same for the AIR-AP-BRACKET-2 bracket.
- ❑ The procedure requires two people.

---

### Note

For Fortinet bracket instructions, start with “Installing the Base Plate on the Fortinet Bracket” on page 19.

---

Perform the following procedure to install the base plate on a Cisco bracket:

1. Insert the four standoffs with the screws and washers on the base plate into the keyholes on the Cisco bracket. The base plate has to be installed as shown in Figure 7. The wide panel has to be at the top of the Cisco bracket and the narrow panel at the bottom.

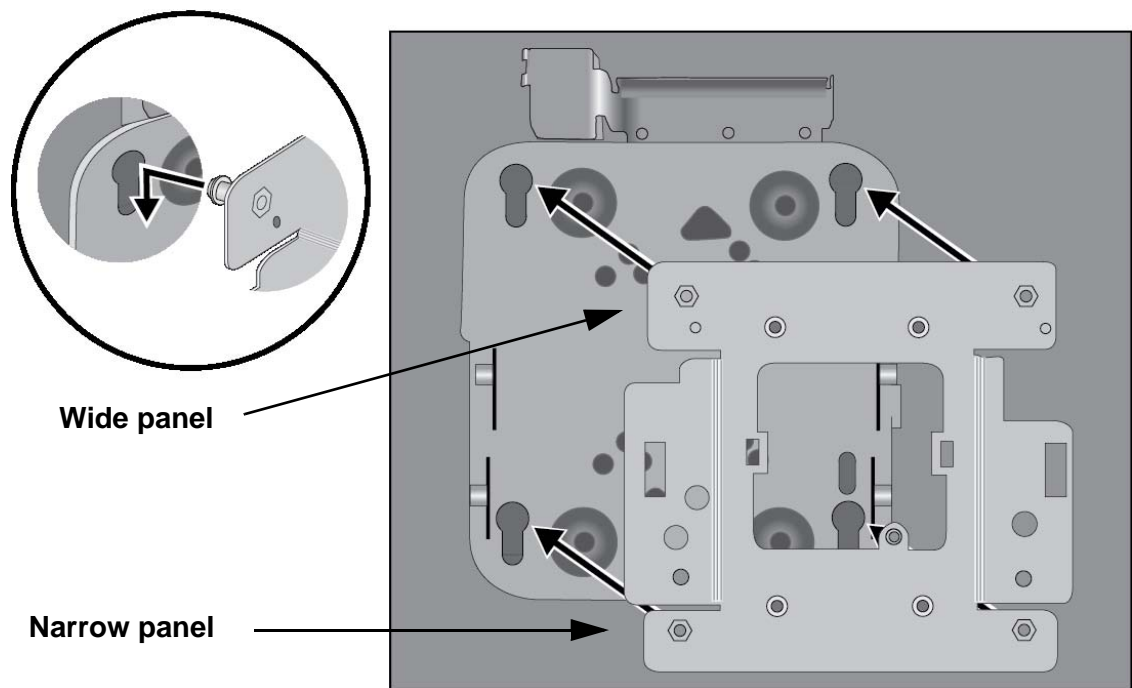


Figure 7. Installing the Base Plate on the Cisco Bracket

---

**Note**

Have another person hold the base plate on the Cisco bracket while you secure it with screws in the next step.

---

2. Secure the base plate to the Cisco bracket with the two M3x8 screws included with the product, using a Phillips-head screwdriver. Refer to Figure 8.

---

**Note**

Do not use the M3x6 screws in this step. They are not long enough to safely secure the base plate to the Cisco bracket.

---

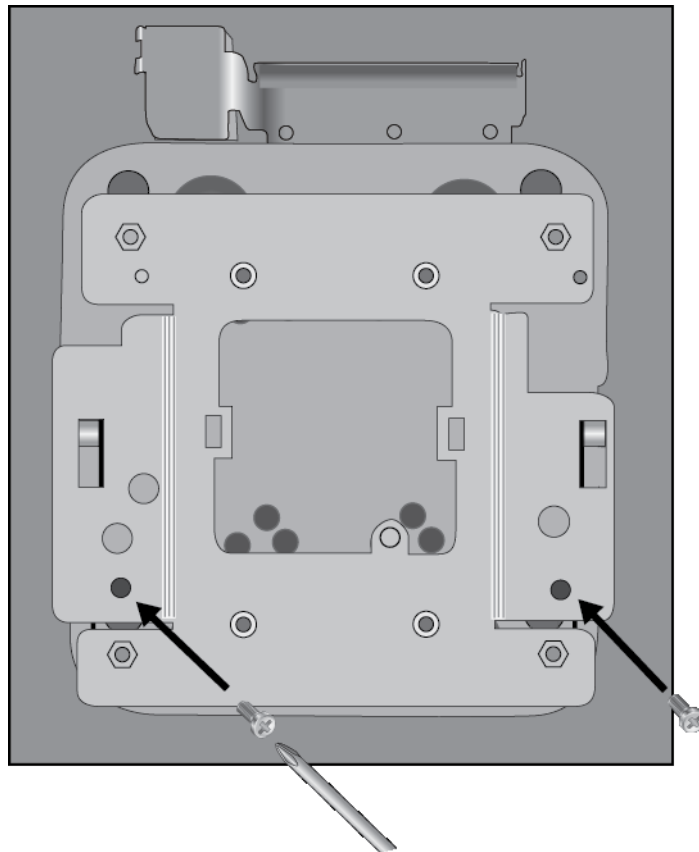


Figure 8. Securing the Base Plate to the Cisco Bracket

3. Go to “Installing the Cover on the Base Plate” on page 20.

## Installing the Base Plate on the Fortinet Bracket

Perform the following procedure to install the base plate on the Fortinet bracket:

1. Place the base plate over the Fortinet bracket. The three holes indicated in Figure 9 have to align with the three standoffs on the bracket.

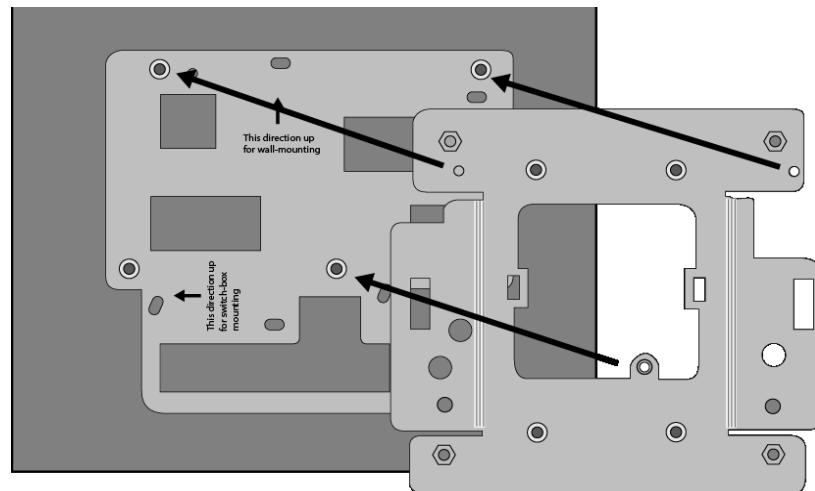


Figure 9. Placing the Base Plate on the Fortinet Bracket

2. Install three M3x6 screws to secure the base plate. The screws are included with the BRKT-CONV-AP1 bracket. Refer to Figure 10. This step may require two people, one to hold the bracket while another secures it with the screws.

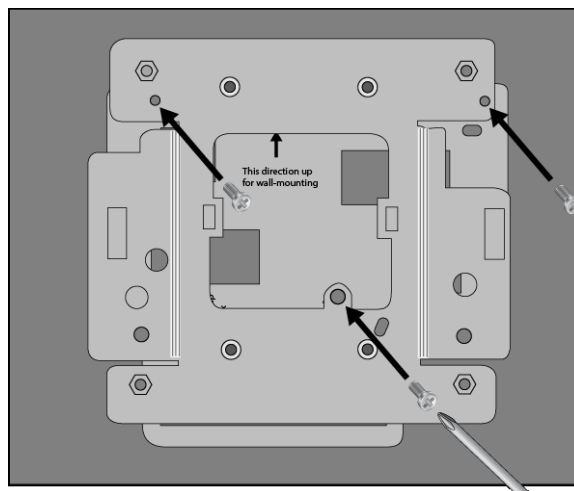


Figure 10. Securing the Base Plate to the Fortinet Bracket

3. Go to “Installing the Cover on the Base Plate” on page 20.

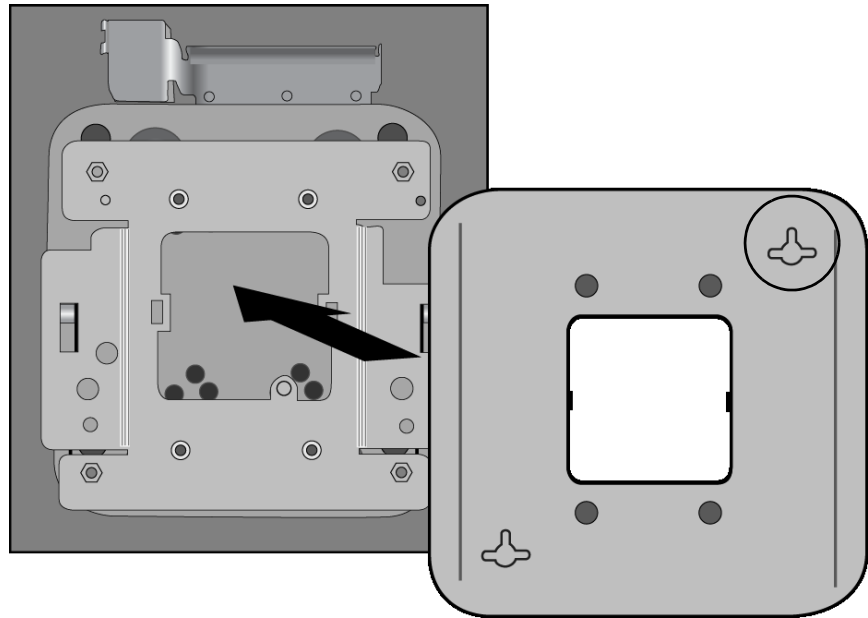
## Installing the Cover on the Base Plate

---

Perform the following procedure to install the cover on the base plate:

1. Position the cover over the base plate and press until it snaps into place. The cover fits on the base plate only one way. The cover has outlines of two keyholes in opposite corners. The keyhole outline circled in Figure 11 has to be in the top right corner of the base plate.

### Cisco Bracket



### Fortinet Bracket

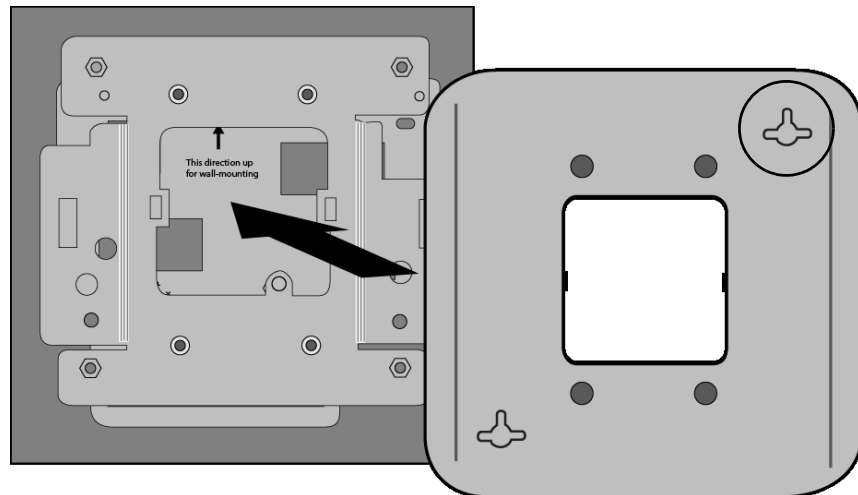


Figure 11. Installing the Cover on the Base Plate

If you have trouble installing the cover, refer to the following information for further assistance:

- ❑ The hooks on the inside of the cover fit into the hook openings in the base plate. Refer to Figure 12.
- ❑ The two standoffs in Figure 12 fit into the indicated holes in the base plate.

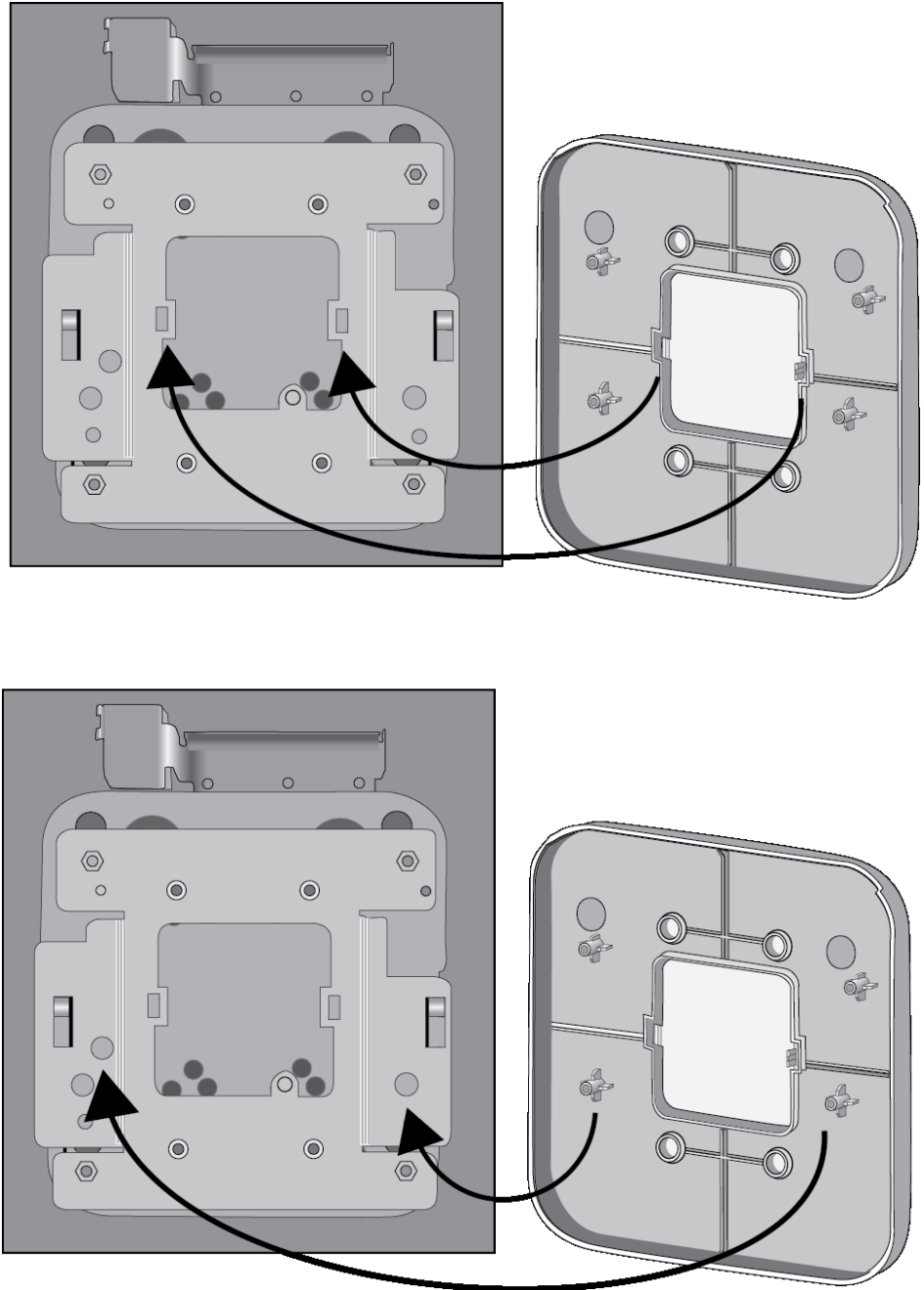


Figure 12. Matching the Cover to the Base Plate

2. Gently pull on the cover to confirm that it is snugly installed on the base plate.
3. Go to “Installing the TQ Bracket Screws on the Wireless Access Point” on page 23.

## Installing the TQ Bracket Screws on the Wireless Access Point

---

Allied Telesis TQ wireless access points come with two screws for attaching the TQ bracket to the bottom panels of the devices. Refer to Figure 6 on page 16. The screws either have collars or no collar. Refer to Figure 13.

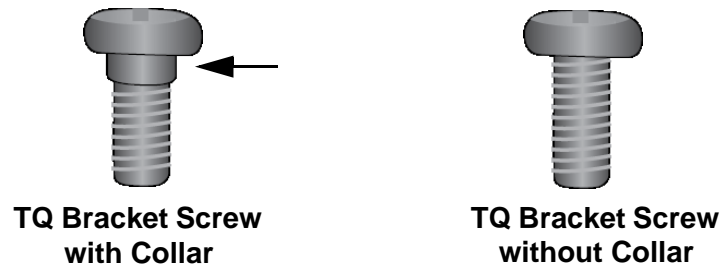


Figure 13. TQ Bracket Screws

Do one of the following:

- If the screws included with your TQ wireless access point have collars, perform “Installing TQ Bracket Screws with Collars” on page 23.
- Otherwise, perform “Installing TQ Bracket Screws without Collars” on page 24.

### Installing TQ Bracket Screws with Collars

Perform the following procedure to install the two TQ bracket screws with collars into the bottom panel of the wireless access point.

1. Place the wireless access point upside down on a table.
2. Install the two bracket screws fully into the bottom panel of the access point. Refer to Figure 14 on page 24. No adjustment of the screws is necessary. The collars provide the proper spacing for the mounting bracket beneath the screw heads.

---

#### Note

The illustration shows a TQ5403 wireless access point. The bottom panels on the TQ1402 and TQ6602 wireless access points are different.

---

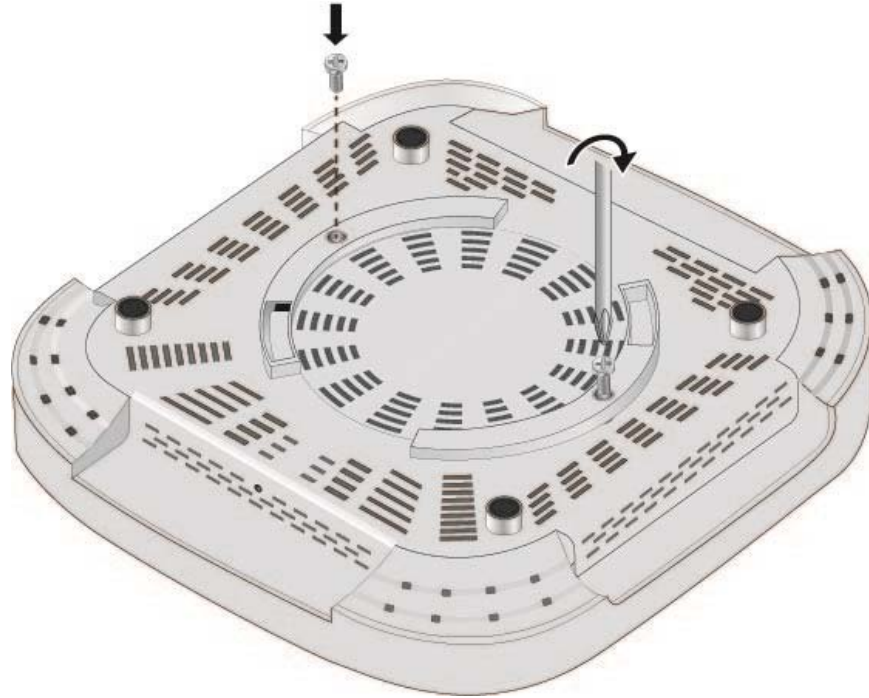


Figure 14. Installing the Mounting Bracket Screws in the Wireless Access Point

3. Go to “Installing the TQ Bracket and Wireless Access Point on the BRKT-CONV-AP1 Bracket” on page 27

### **Installing TQ Bracket Screws without Collars**

Perform the following procedure to install two TQ bracket screws without collars to the bottom panel of the wireless access point.

1. Place the wireless access point upside down on a table.
2. Install the two bracket mounting screws provided with the wireless access point in the bottom panel of the device. Leave the screws loose enough so that you can slide the TQ bracket under the screw heads. Refer to Figure 14.
3. Install the TQ bracket on the wireless access point by sliding the keyholes under the screws. Refer to Figure 15 on page 25.



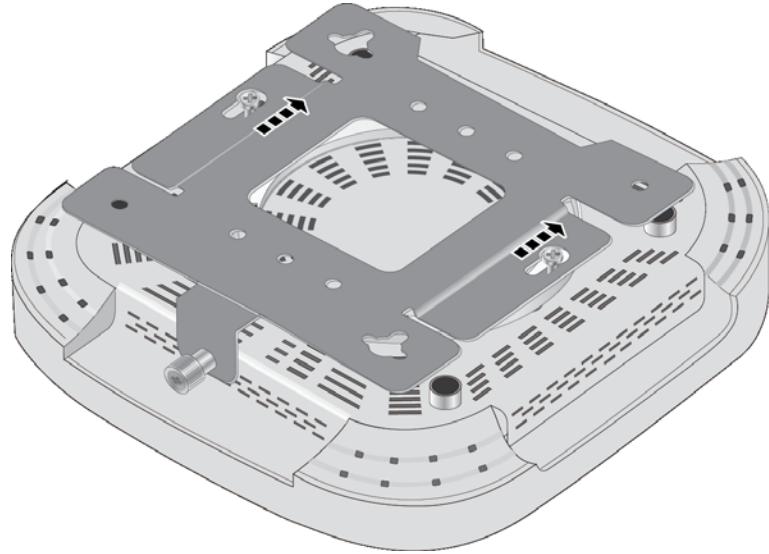


Figure 15. Installing the TQ Bracket on the Wireless Access Point

4. Tighten the screws so that they touch the mounting bracket plate, and then loosen them by approximately 1/4 turn. Refer to Figure 16.

---

**Note**

Adjust the screws so they are loose enough for you to remove the bracket, but tight enough to prevent the access point from rattling against the mounting bracket.

---

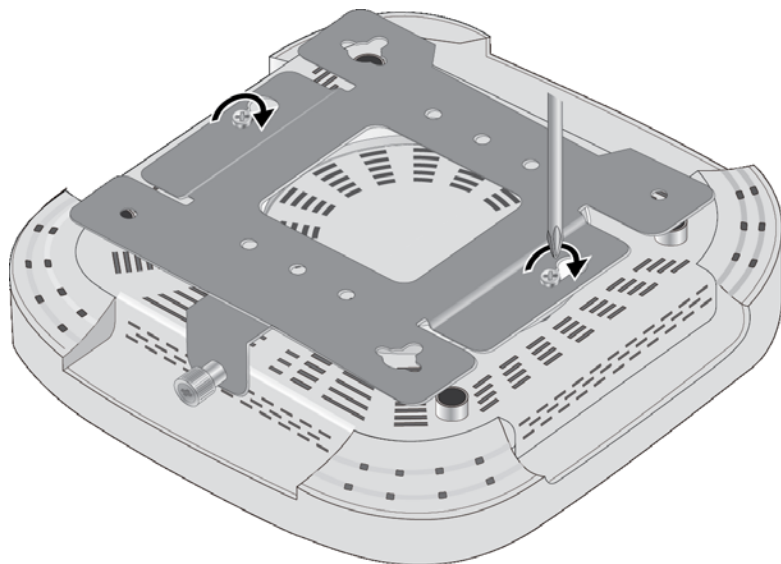


Figure 16. Adjusting the Screws on the Wireless Access Point

5. Slide the mounting bracket forward and remove it from the device. Refer to Figure 17.

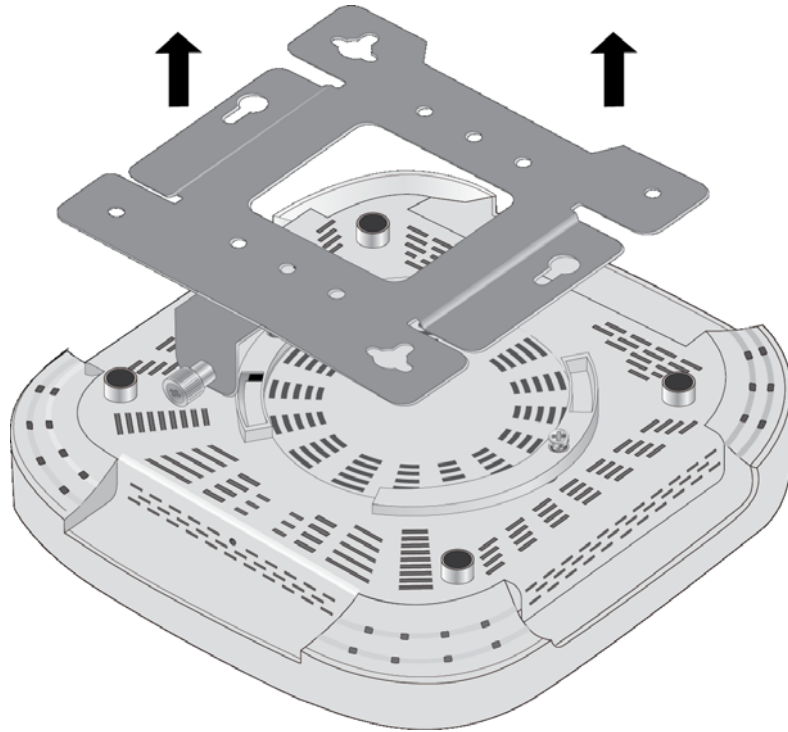


Figure 17. Removing the Mounting Bracket from the Wireless Access Point

6. Go to “Installing the TQ Bracket and Wireless Access Point on the BRKT-CONV-AP1 Bracket” on page 27.

## Installing the TQ Bracket and Wireless Access Point on the BRKT-CONV-AP1 Bracket

---

This section explains how to install the TQ bracket and wireless access point on the BRKT-CONV-AP1 bracket. Depending on the installation site, it may be easier to wire the wireless access point before installing it on the bracket. For instructions, refer to the appropriate wireless access point installation guide.

Perform this procedure to install the TQ bracket and wireless access point:

1. Place the TQ bracket on the cover on the BRKT-CONV-AP1 bracket. The bracket can be installed only one way. The keyhole outlines on the cover show the correct orientation for the TQ bracket. Refer to the Figure 18.

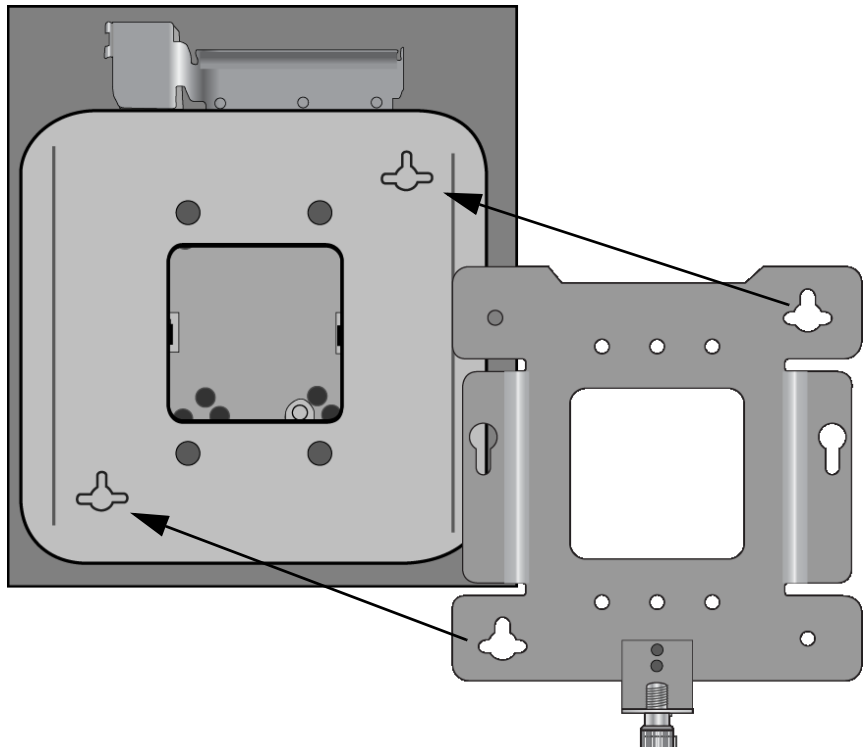


Figure 18. Placing the TQ Bracket on the Cover

2. Secure the TQ bracket with the four M4x8 screws included with the BRKT-CONV-AP1 bracket. Refer to Figure 19. This step may require two people, one to hold the bracket while another secures it with the screws.

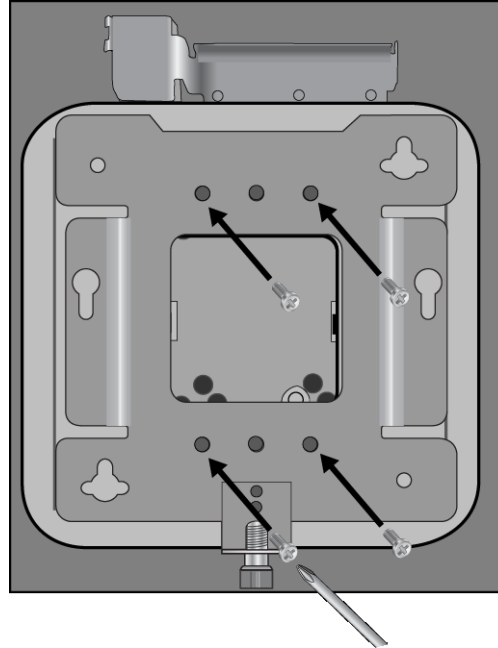


Figure 19. Securing the TQ Bracket to the Cover with Four M4x8 Screws

3. Install the wireless access point on the bracket by inserting the two screws on its bottom panel into the bracket keyholes. The wireless access point fits on the bracket only one way. The LEDs have to be at the bottom of the bracket. Refer to Figure 20 on page 29.

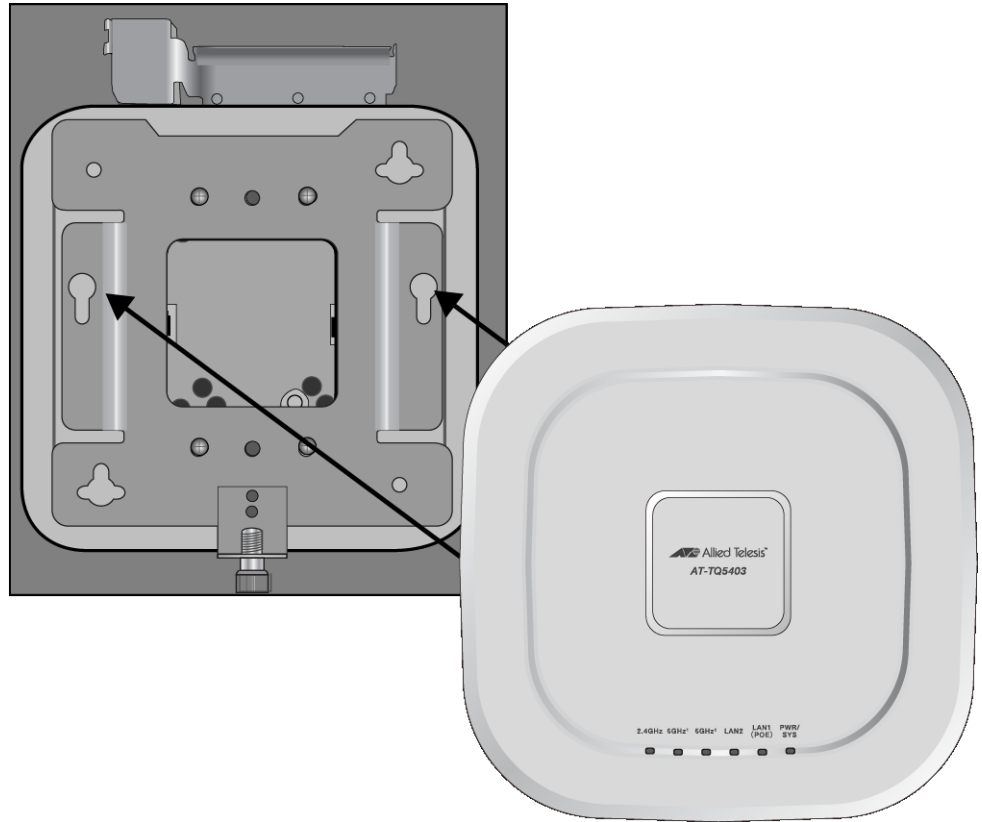


Figure 20. Installing the Wireless Access Point on the Bracket

4. Tighten the thumbscrew on the TQ bracket to secure the wireless access point. Refer to Figure 21.

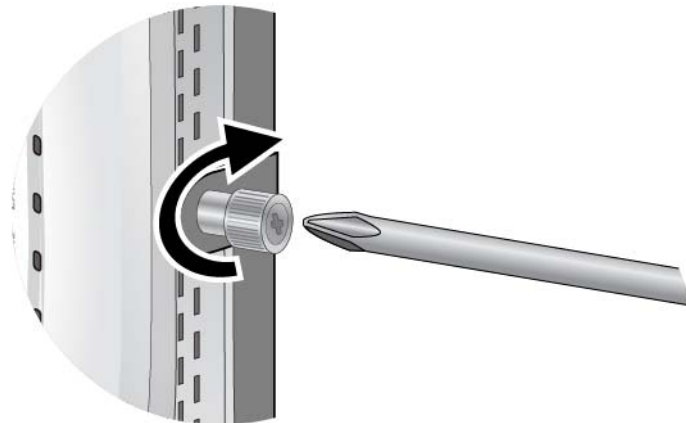


Figure 21. Securing the Wireless Access Point

This completes the installation procedure. For further instructions, refer to the appropriate TQ wireless access point installation guide.

